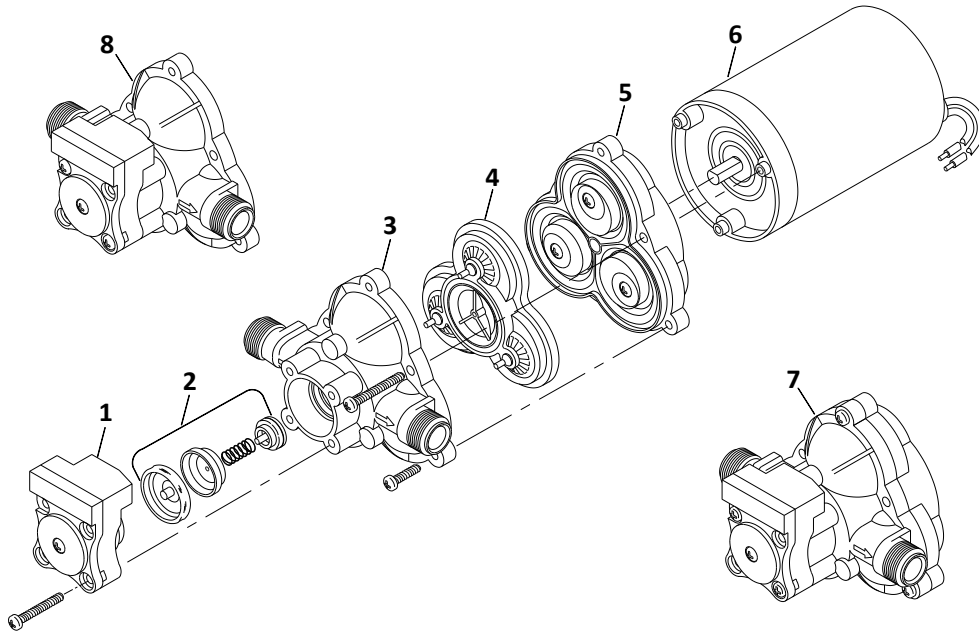


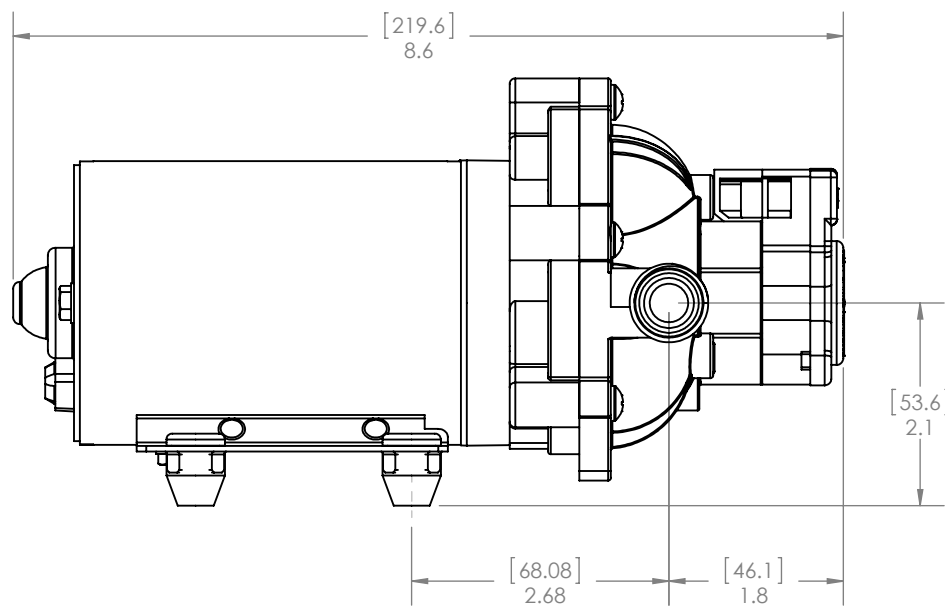
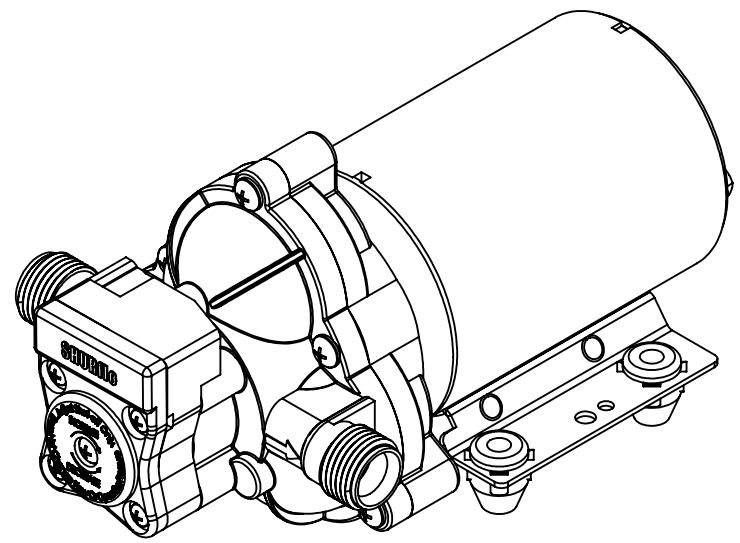
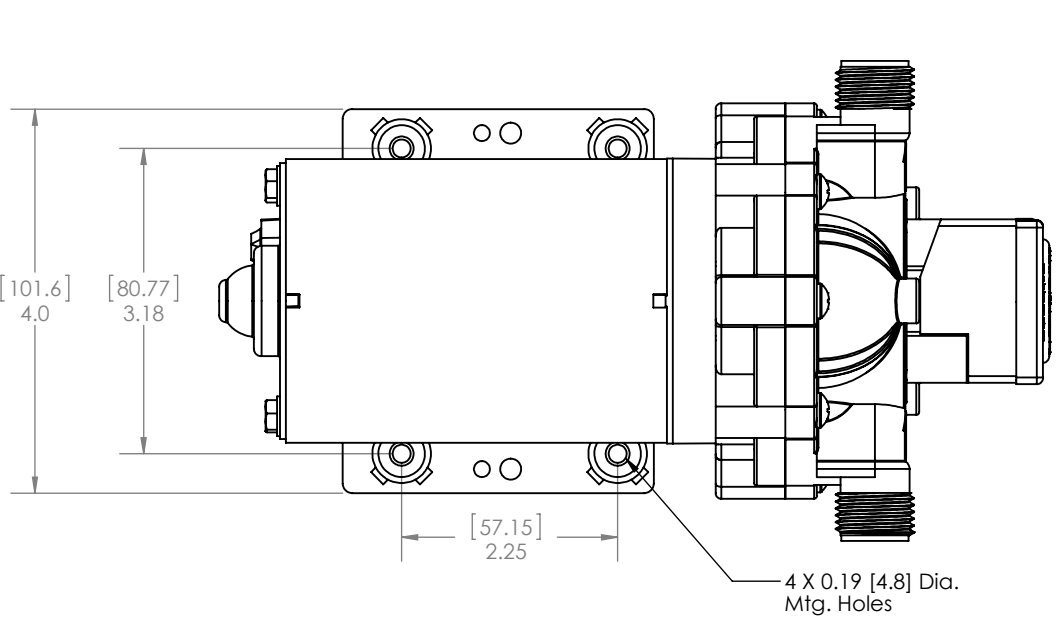
SHURflo

KITS FOR MODEL 2088-443-144

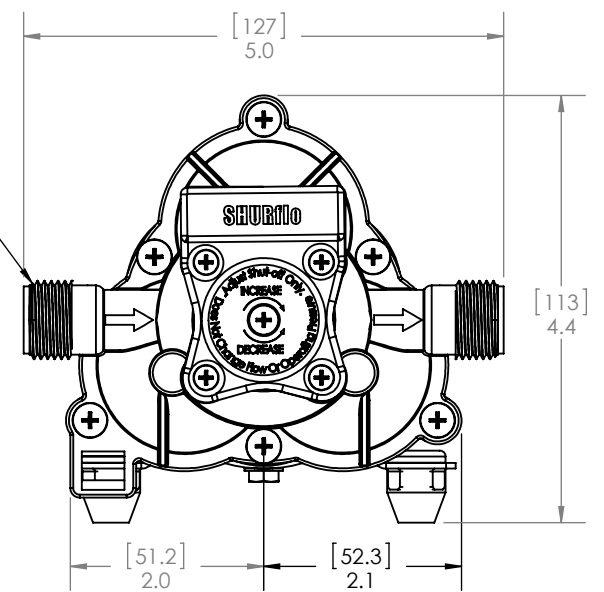
Issued: 10-12-00 dp



- | | |
|------------------------------|---|
| 1) Switch Assembly | 94-230-35 (For 4-hole screw pattern only) |
| 2) Check Valve Assembly | 94-237-00 |
| 3) Upper Housing | 94-231-30 (4-hole screw pattern for switch) |
| 4) Valve Assembly | 94-232-00 |
| 5) Diaphragm/Lower Housing | 94-238-03 |
| 6) Motor | 11-111-00 |
| 7) Complete Pump Head | 94-236-20 |
| 8) Upper Housing/Switch Assy | 94-231-20 |



2 X 1/2-14 NPSM Ports



Installation Drawing 59

Wiring Removed For Clarity